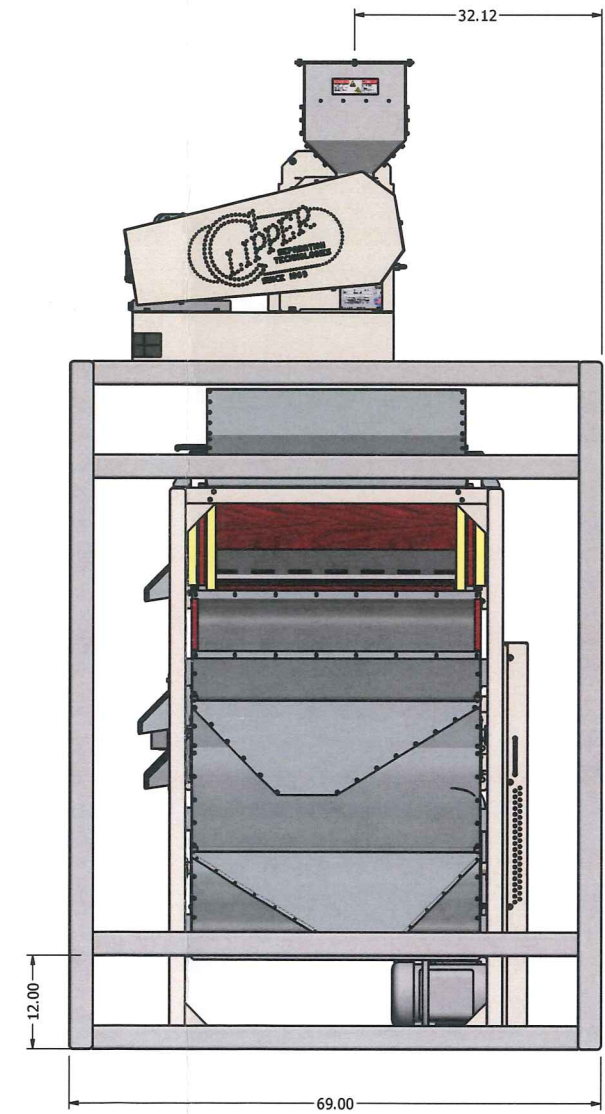
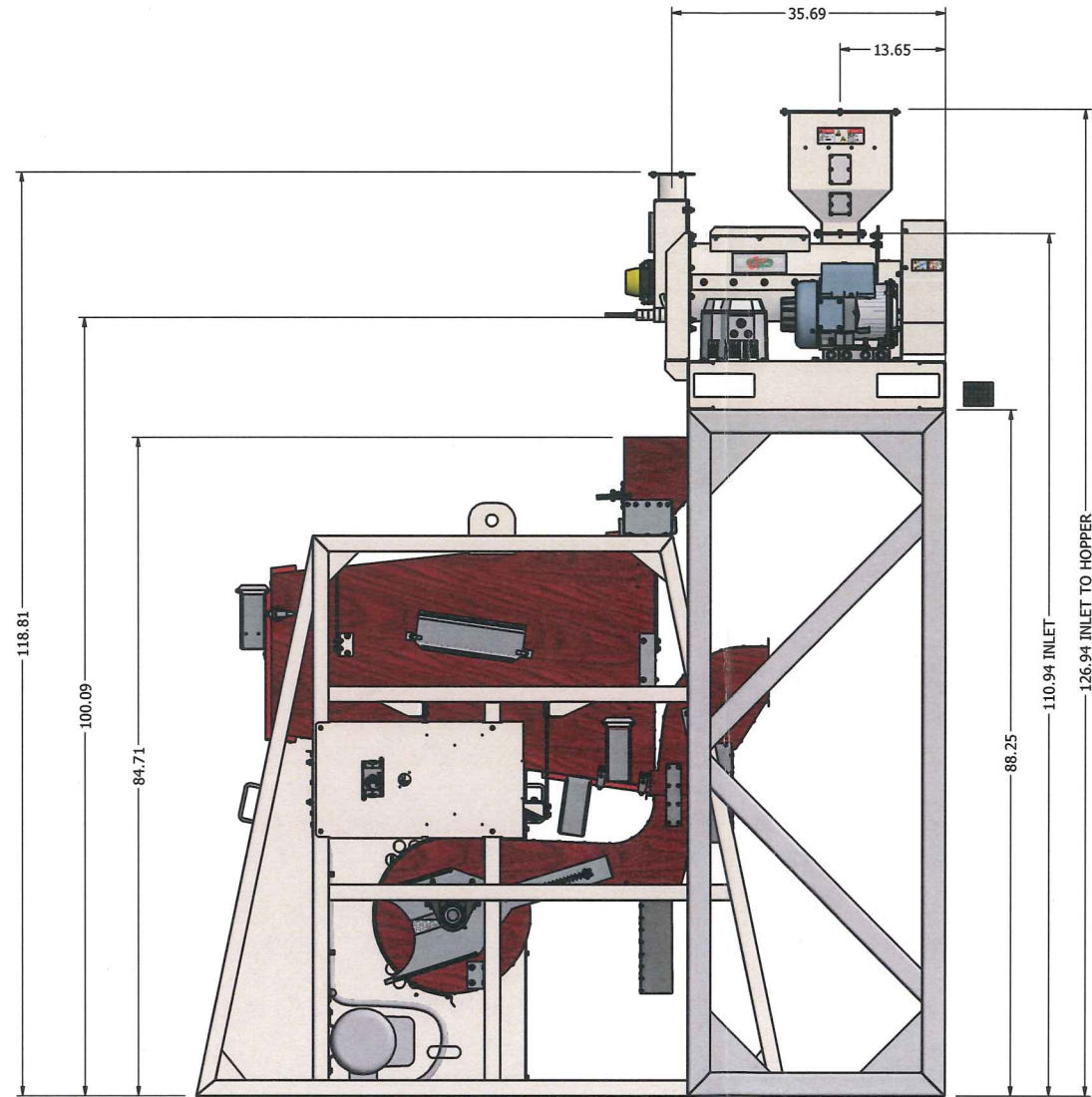
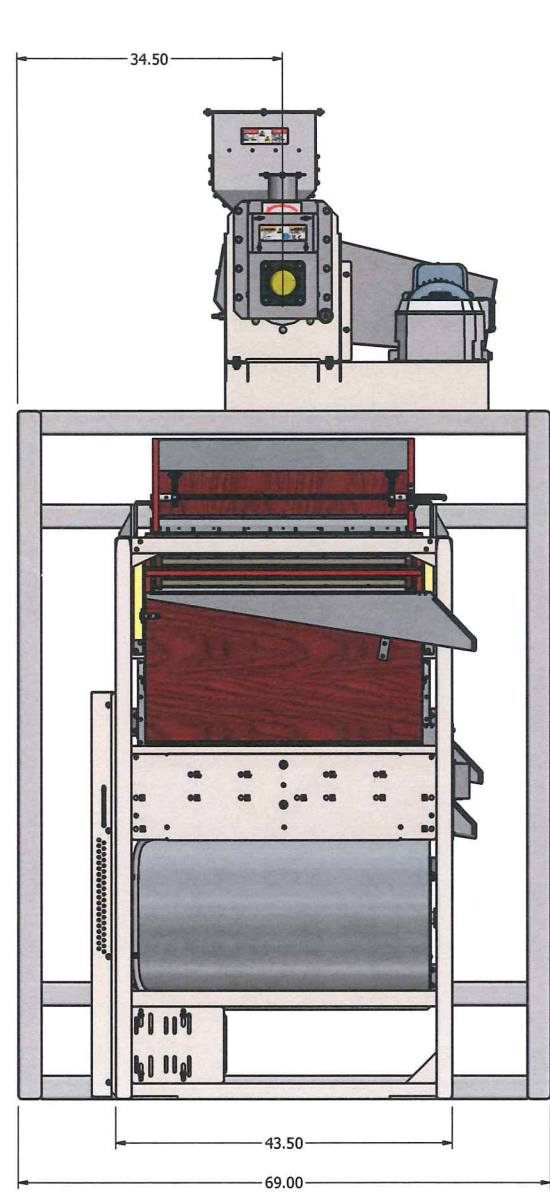



REVISION HISTORY				
REV	ECN	DESCRIPTION	DATE	APPROVED
A	F160182	RELEASED	2/3/2017	DCCLARK



	DIVISION OF A.T.FERRELL COMPANY 1440 S ADAMS ST BLUFFTON, INDIANA 46714 - USA PH: 260-824-3400 FAX: 260-824-5483		This drawing is the property of the A.T. Ferrell Company, Inc and must be returned immediately upon request. No part of this drawing may be reproduced, stored in a retrieval system or transmitted in any form or by any means, without prior written consent of the A.T. Ferrell Company, Inc.	
	TOLERANCES EXCEPT AS NOTED: DECIMAL: ± 0.30 FRACTIONAL: ± 1/32 ANGULAR: ± 1/2° FINISH:	DRAWN BY: dcclark	DRAWN DATE: 2/3/2017	APPROVED BY:
CAD NO MANUAL CHANGES	SCALE: 2 OF 2	SHEET: D	PART NUMBER: F20502221	REV: A