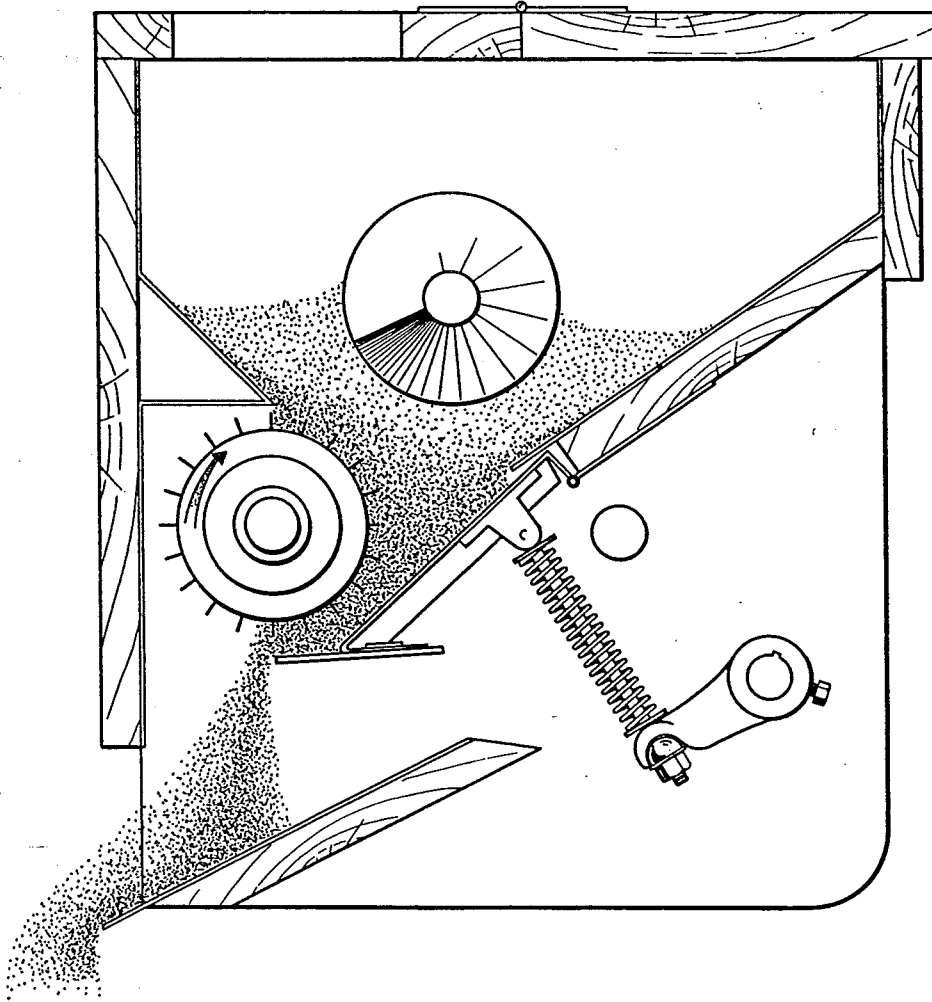




1440 S. Adams Street
Bluffton, IN 46714



ROLL-FEED HOPPER

CLIPPER

ROLL FEED HOPPER

| ITEM DESCRIPTION | 7 WIDE | | 9 WIDE | | 8 WIDE | |
|--|--------|--------------------|--------|--------------------------------|--------|--------------------|
| | QTY | PART NO. | QTY | PART NO. | QTY | PART NO. |
| 1 U-Joint | 1 | F01005500 | 1 | F01005500 | 1 | F01005500 |
| 2 Hand Crank Assembly | 1 | F04001600 | 1 | F04001600 | 1 | F04001600 |
| 3 5-1/4" Flange Bearing, 1" Bore | 3 | F01100000 | 3 | F01100000 | 3 | F01100000 |
| 4 Cast Collar, 3/4" Bore | 3 | F01102002 | 3 | F01102002 | 3 | F01102002 |
| 5 3-1/2" Flange Bearing, 1" Bore | 1 | F01102800 | 1 | F01102800 | 1 | F01102800 |
| 6 Flange Bearing, 3/4" Bore | 1 | F01103000 | 1 | F01103000 | 1 | F01103000 |
| 7 Cast Collar, 1" Bore | 3 | F01103100 | 3 | F01103100 | 3 | F01103100 |
| 8 Roll Shaft, 1" Diameter | 1 | F01604310 | 1 | F01604320 | 1 | F01604330 |
| | | (1" X 40") | | (1" X 48") | | (1" X 60") |
| 9 Escutcheon Plates | 2 | F01801200 | 2 | F01801200 | 2 | F01801200 |
| 10 Control Rod | | Need Length | | | | |
| *11A Screw Shaft, Handle 5/8 x 6-3/4 | 1 | F01805700 | 1 | F01805700 | 1 | F01805700 |
| 11 Screw Shaft, Universal 5/8 x 6 (Standard) | 1 | F01805800 | 1 | F01805800 | 1 | F01805800 |
| 12 Hopper gate assembly complete | 1 | F04003010 | 1 | F04003020 | 1 | F04003030 |
| 13 Roll Assembly w/ Staves and Flanges | 1 | F04003110 | 1 | F04003120* | 1 | F04003130 |
| | | | | * Special Roll F0403140 39 3/4 | | |
| | | | | * Special Roll Shaft F01640000 | | |
| 14 End Board, Right or Left | 2 | F04108600 | 2 | F04108600 | 2 | F04108600 |
| 15 Gate lever Bracket | 2 | F04200300 | 3 | F04200300 | 4 | F04200300 |
| 16 Clutch, Right Hand | 1 | F04200500 | 1 | F04200500 | 1 | F04200500 |
| 17 Clutch, Left Hand | 1 | F04200600 | 1 | F04200600 | 1 | F04200600 |
| 18 Flight, Gear Shaft Left Hand | | NONE | 2 | F04200700 | 3 | F04200700 |
| 19 Clutch Handle, 16" long | 1 | F04201000 | 1 | F04201000 | 1 | F04201000 |
| 20 60 Tooth Sour Gear, 1" Bore | 2 | F04201300 | 2 | F04201300 | 2 | F04201300 |
| 21 15 Tooth Pinion Gear, 1" Bore | 2 | F04201400 | 2 | F04201400 | 2 | F04201400 |
| 22 16" Clutch Sheave, Right Hand | 1 | F04201700 | 1 | F04201700 | 1 | F04201700 |
| 23 16" Clutch Sheave, Left Hand | 1 | F04201800 | 1 | F04201800 | 1 | F04201800 |
| 24 Flight, Gear Shaft, Right Hand | | NONE | 2 | F04201900 | 3 | F04201900 |
| 25 Slide Lever | 2 | F04203100 | 3 | F04203100 | 4 | F04203100 |
| 26 Back Slide Metal | 1 | F04300310 | 1 | F04300320 | 1 | F04300330 |
| | | (15-1/8 X 30-1/16) | | (15-1/8 X 38-1/16) | | (15-1/2 X 50-1/16) |
| 27 Front Slide Metal | 1 | F04300410 | 1 | F04300420 | 1 | F04300430 |
| | | (11-1/4 X 30-1/8) | | (11-1/4 X 38-1/2) | | (11-1/4 X 501/8") |

* THIS SHAFT WOULD BE USED IF THE HAND CRANK ASSEMBLY (2) IS MOUNTED DIRECTLY ON THIS SHAFT

CLIPPER**ROLL FEED HOPPER**

7 WIDE

9 WIDE

8 WIDE

| ITEM DESCRIPTION | QTY | | QTY PART NO. | QTY PART NO. |
|-------------------------------------|-----|--------------|----------------|----------------|
| 28 Gate Spring | 2 | F92700009 | 3 F92700009 | 4 F92700009 |
| 29 Gear Guard | 1 | F04303900 | 1 F04303900 | 1 F04303900 |
| 30 Spring Guide Pins | 2 | F04312800 | 3 F04312800 | 4 F04312800 |
| 31 Pivot Nut, Plain | 1 | F04313100 | 1 F04313100 | 1 F04313100 |
| 32 Pivot Nut, Threaded | 1 | F04313200 | 1 F04313200 | 1 F04313200 |
| 33 Hopper Center Support | | NONE | 1 F04313400 | 1 F04313400 |
| 34 Swivel Plate, Cast Bearing | 1 | F04313500 | 1 F04313500 | 1 F04313500 |
| 35 Bottom Slide Plate, Metal | 1 | F04300510 | 1 F04300520 | 1 F04300530 |
| | | (8 X 30) | (8 X 38) | (8X 50) |
| 36 Gate Shaft | 1 | F04314300 | 1 F043113000 | 1 F04314200 |
| | | (3/4 X 33) | (3/4 X 40-3/4) | (3/4 X 52-3/4) |
| 37 Pivot Lever | 1 | F04314800 | 1 F04314800 | 1 F04314800 |
| 38 Drilled Balls | | NONE | NONE | NONE |
| *39 Drive Shaft | 1 | F04304900 | 1 F04316400 | 1 F04316000 |
| | | (1 X 45-1/2) | (1 X 58) | (1X66-1/2) |
| 40 Clutch Bracket | 1 | F04316200 | 1 F04316200 | 1 F04316200 |
| 41 Nylock Nuts (3/8 - 16) | 2 | 70010002 | 3 70010002 | 4 70010002 |
| 42 Fafnir Bearing w/Flange, 1" Bore | 2 | F92460200 | 2 F92460200 | 2 F92460200 |
| 43 Spiral Shaft | 1 | F04307610 | 1 F04307630 | 1 F04307620 |
| 44 Top Hopper Board w/Hole | 1 | F04106610 | 1 F04106620 | 1 F04106630 |
| 45 Top Hopper Front Board | 1 | F04106640 | 1 F04106650 | 1 F04106660 |
| 46 Hinge, Hopper Top | 2 | F98200006 | 2 F98200006 | 2 F98200006 |
| Complete Roll Feed Hopper | LH | F04000110 | LH F04000120 | LH F04000130 |
| | RH | NONE | RH F04000179 | RH F04000180 |

On S-29-D Some have roll 41 3/8 w/FL

The standard one is 39-1/2" w/FL No # Special Order

*** SOME DRIVE SHAFTS ARE LONGER. PLEASE MEASURE**

