

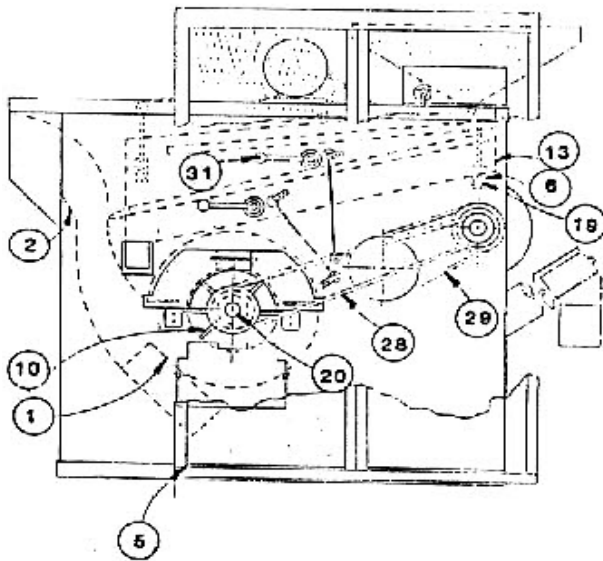
CLIPPER M2B CLEANER

<u>NO.</u>	<u>PART NUMBER</u>	<u>QTY.</u>	<u>DESCRIPTION</u>
1	F3000400	1	Fan Drum Assembly
2	F30302900	1	Breast Iron
3	F30303400	1	Hood Assembly
4	F30010600	1	Clean Grain Spout
5	F30010501	1	Modular Guard-Plain Hopper
5	F30010502	1	Modular Guard-Plain Hopper
6	F30010800	4	Hanger Assembly
7	F30300310	2	Top Slide Air Control RH
7	F30300320	2	Top Slide Air Control LH
8	F30310600	2	Bottom Slide Air Control
9	F30001400***	2	Bridge Tree Bearing Assembly w/Bearing
**	F92400019	2	Bridge Tree Bearing Insert Only
10	F30002300	1	Fan Assembly
11	F30008900	1	Idler Bracket Arrangement
12	F30000900	1	Eccentric Assembly
**	F92400015	1	Eccentric Bearing Insert
13	NOT AVAILABLE	1	Shoe Assembly
14	F92050309	1	Auger Kit - See Accessory Page
15	F30326100	1	Eccentric Shaft
16	F30001300	1	Plain Hopper - See Hopper Page
16	NOT AVAILABLE	1	Control Feed Hopper-See Hopper Page
17	F30001700	1	Straw Spout
18	F30001800	1	Sand Spout
19	F11307341	8	Shoulder Bolt
20	F11307233	1	Fan Shaft 13/16" x 33-3/4"
21	F30001000	1	Pitman Assembly
22	F01308301	1	3 Step Fan Sheave 13/16" Bore
23	F01308302	1	3 Step Eccentric Sheave 1" Bore
24	NOT AVAILABLE	1	Eccentric Drive Sheave
25	F30401600	1	Brush Drive Sheave
26	NOT AVAILABLE	1	Motor Drive Sheave
27	40000521	1	Eccentric Drive Belt (Link Belt, Measure Length)
28	F91174610	1	Fan Belt
29	F91174650	1	Main Drive Belt
30	NOT AVAILABLE	2	Brush Adjusting Lever
31	F30322400	8	Rope Sheave Assembly (Parts Below)
**	F30300500	1	Sheave
**	F30322401	1	Bracket
**	F30300600	1	Axle
32	F30307100	2	Brush Carrier Shaft
33	F81600054	18'	Brush Cord

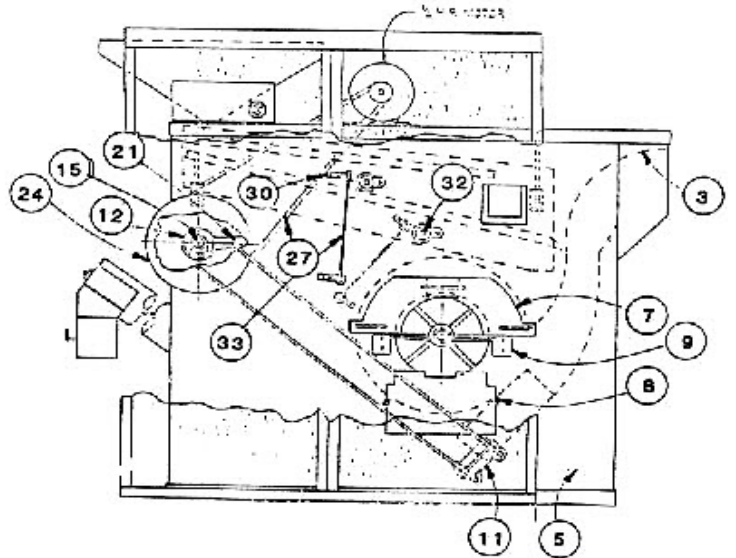
***** New Style Bridgetree Includes:**

F30323800	2	Fan Bearing Support
40000073	2	Pillow Block Bearing

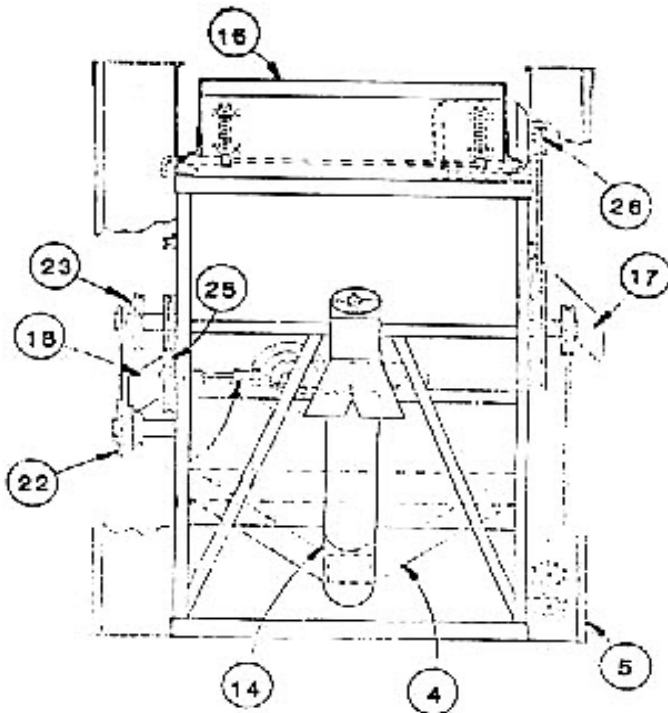
LEFT SIDE



RIGHT SIDE



FRONT VIEW



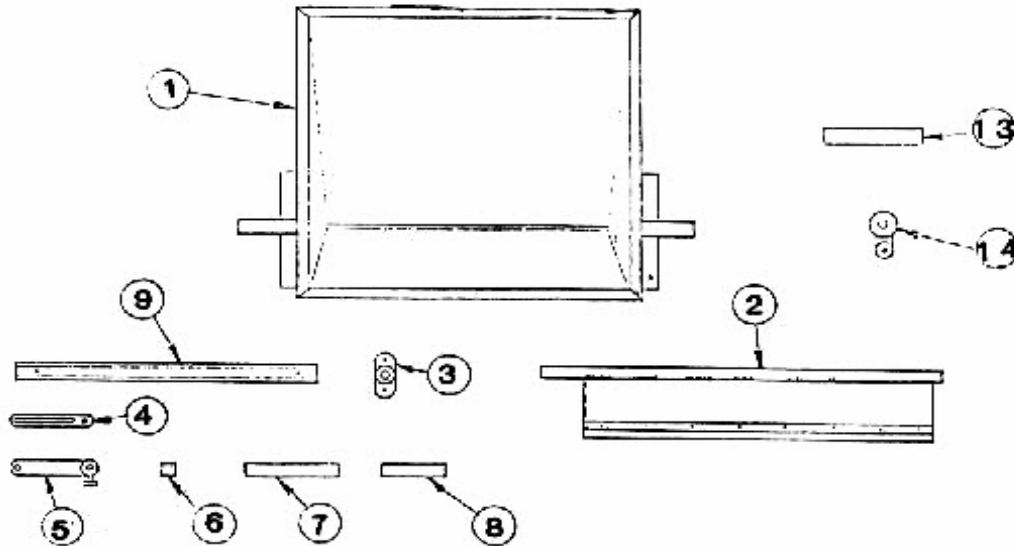
BRUSH CARRIER

Not Shown

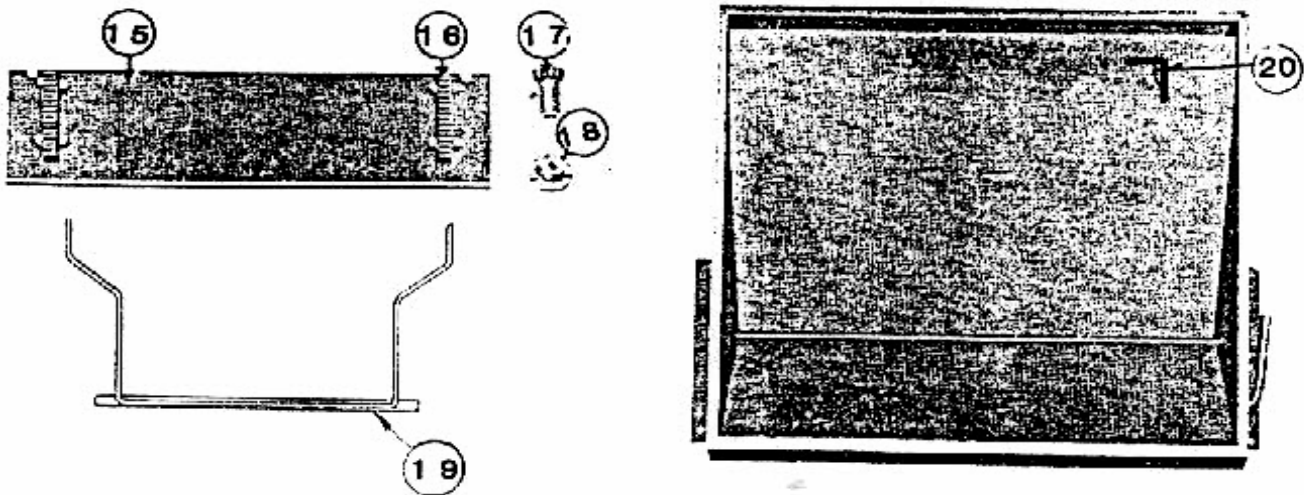
Qty	Part No.	Description
1	F30001100	Carrier Frame
1	F30001120	Carrier w/ Nylon Brush
2	F99200030	Carrier Roller
2	F30305600	Carrier Roller Axle
1	F30305400	Rope Clamp
2	F30400110	Fine Nylon Brush
2	F30400120	Coarse Nylon Brush

CLIPPER M2B HOPPERS

CONTROL FEED HOPPER



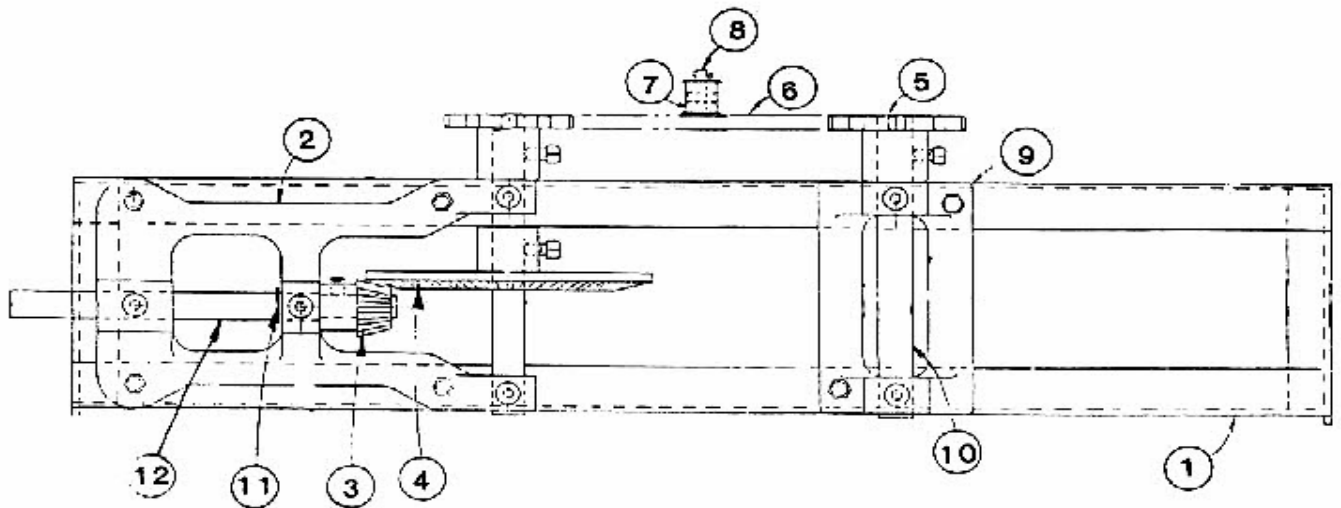
PLAIN HOPPER



NO.	PART No.	QTY	DESCRIPTION
1	Not Available	1	Control Feed Hopper Ass'y
2	F30006609	1	Hopper Gate
3	Not Available	2	13/16" Bearing
4	F30311600	1	Trunion
5	F30323400	1	Gate Control Arm
6	F30311800	1	Bearing Indicator Pin
7	F30311901	1	Stub Shaft for Treater
8	F30311902	1	Hopper Drive Shaft
9	F30313300	1	Hex Roll Shaft
10	41300204	1	5/8" x 2-1/2" Dr. Shv.

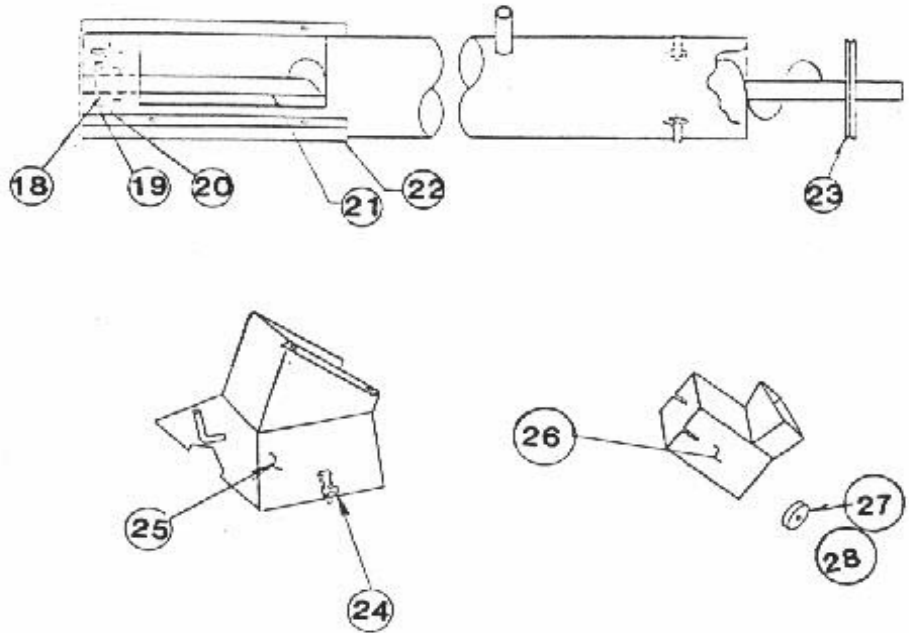
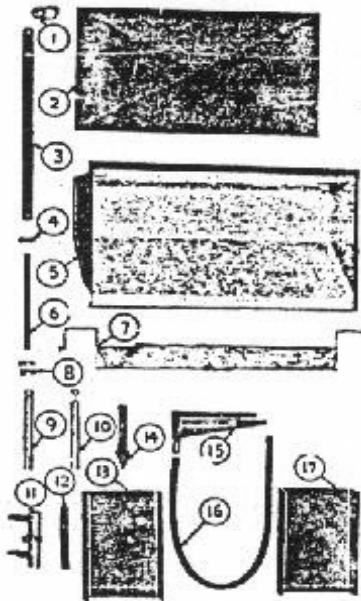
NO.	PART No.	QTY.	DESCRIPTION
11	F30401210	1	13/16" x 10" Drvn. Shv.
12	F91174590	1	Open End V-Belt
13	F30311903	1	Stub Shaft 2-7/8"
14	F30202200	1	Arm Crank
15	F30306800	1	Hopper Slide
16	F04200800	2	Hopper Rack
17	F04200900	2	Pinion Ass'y
18	F01102902	2	Bearing Ass'y
19	F30306900	1	Wire Agitator Ass'y
20	F30001309	1	Hopper Ass'y Only
	F30001300	1	Plain Hopper Complete

CLIPPER M2B BRUSH DRIVE



<u>NO.</u>	<u>PART No.</u>	<u>QTY.</u>	<u>DESCRIPTION</u>
1	F30001210	1	Base Weldment
2	F30201700	1	Plate Bearing for Gears
3	F30200800	1	Small Bevel Pinion
4	F30200700	1	Large Bevel Gear
5	NOT AVAILABLE	2	9 Tooth Sprocket
6	F19900800	1	#25 Chain w/Attachment Link
7	F30306000	1	Rope Clamp
8	F11702000	1	#25 Attachment Link
9	F30201800	1	Sprocket Bearing
10	F30305900	2	Sprocket Shaft
11	F83000007	3	Retaining Ring
12	F30305800	1	Pinion Shaft

CLIPPER M2B ACCESSORIES



TREATER

AUGER/BAGGER

<u>NO.</u>	<u>PART NO.</u>	<u>QTY</u>	<u>DESCRIPTION</u>
1	F30202200	1	Crank Arm
2	F30320000	1	Tank Cover
3	F30314100	1	Piston Arm Link
4	F30319300	1	Piston Pin
5	f30007200	1	Slurry Tank
6	F30314000	1	Piston Arm
7	F30320100	1	Agitator
8	F30313900	1	Agitator Clip
9	F30315301	1	Piston "A"--1/4" x 1/8"
10	F30315302	1	Piston "B"--1/2" x 7/32"
11	F30320200	1	Cylinder Block
12	F93940002	6"	1/2" Rubber Hose
13	F30314200	1	Right Support
14	F30322700	1	Air Vent
15	F30314400	1	Dispenser Spout
16	F93940002	37"	1/2" Rubber Hose
17	F30314300	1	Left Support
	Not Available	1	Complete M2B Treater Assembly

<u>NO.</u>	<u>PART NO.</u>	<u>QTY</u>	<u>DESCRIPTION</u>
18	40000017	1	Bearing
19	40000018	1	Lock Collar
20	40000016	2	3 Hole Stamping
21	F90005060		Shaft & Flighting
22	F90005050		Welded Tube Assembly
23	41301704		4" Sheave 5/8" Bore
24	F01003100	2	Bag Holder Assembly
25	F30009100	1	Two Way Bagger
26	F92050023	1	Complete Boot
27	40000017	1	Bearing
28	40000018	2	Stamping
	F92050006	1	Auger w/Boot (Includes 18-22)
	F92050309	1	Complete M2B Auger Kit
	F30403300	1	Auger Belt w/Clip
	F98000001	1	Extra Clips for Belt
	F01900110		74" Flat Elevator Dr. Belt
	Not Available		144" Cleated Elevator Belt