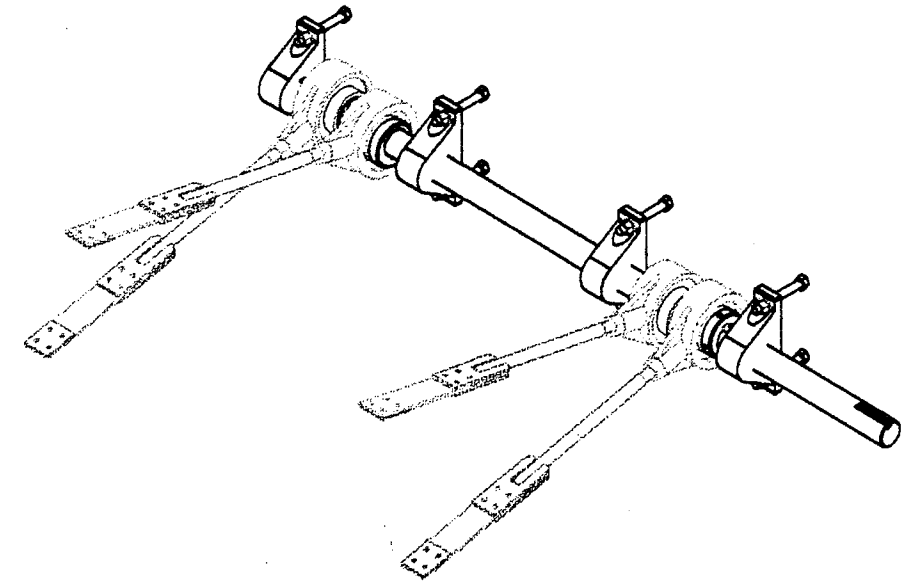
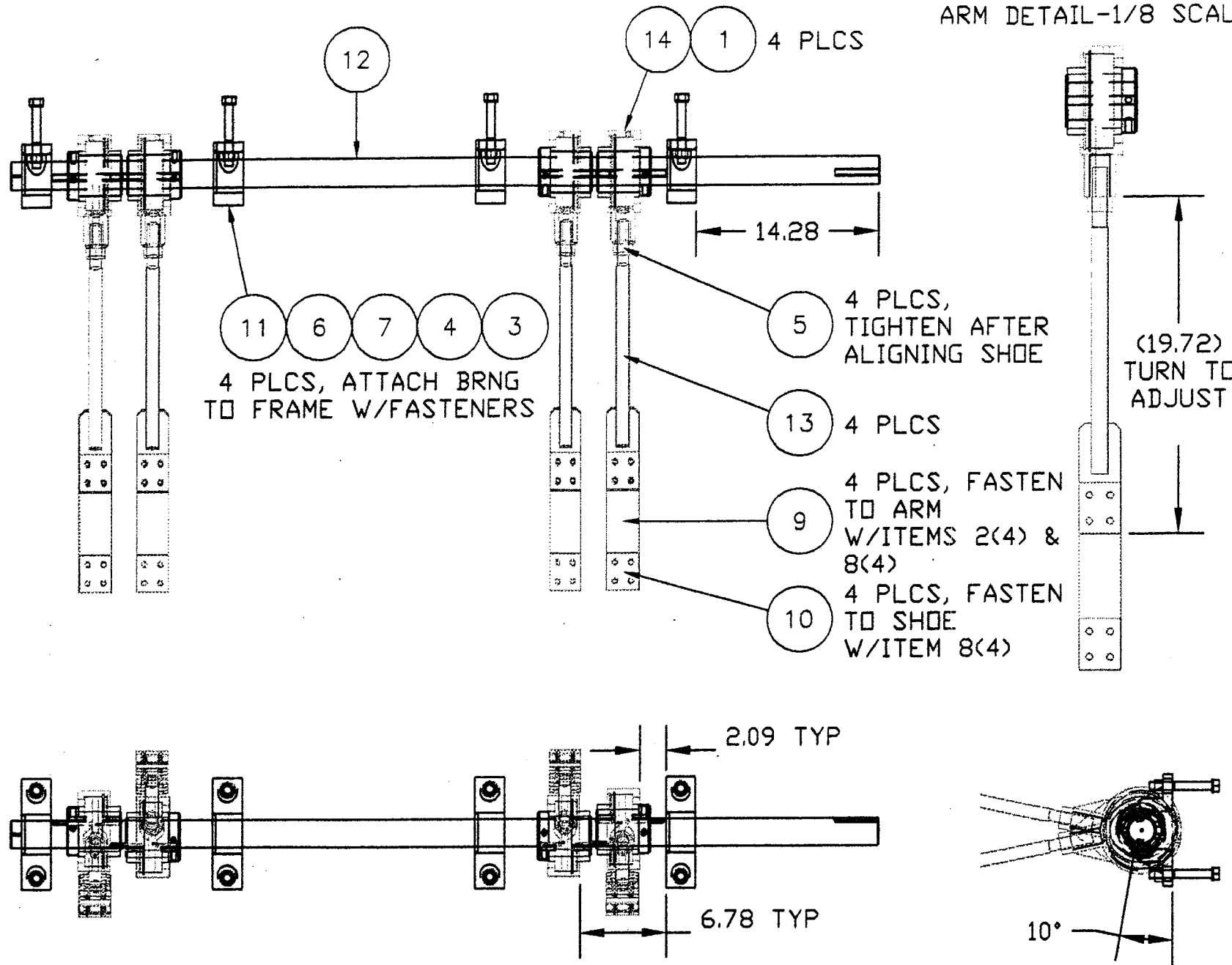



ARM DETAIL-1/8 SCALE



14	F92053051	4	ECC ASSY NG 2.18" .5T
13	F90006027	4	PITMAN ARM WLDMT, NG
12	F66680066	1	ECC SHAFT 2.18" 468-968 AC RH
11	F40000081	4	BEARING-PB 2.18" RAK
10	F11303666	4	BACK PLATE, PITMAN CONNECTOR
9	F11303662	4	PITMAN CONNECTOR
8	66784400	32	NUT, HEX SERR FLANGE LOCK 3/8-16
7	66445800	8	WASHER, LOCK 5/8"
6	66405800	8	WASHER, FLAT 5/8" PLT
5	66087400	4	NUT, HEX 1-8 PLT
4	66085800	8	NUT, HEX 5/8-11 PLT
3	62585855	8	HHCS, 5/8-11X 5.00"
2	62584426	16	HHCS, 3/8-16 X 1.25"
1	49001064	4	KEY, 1/2" SQ X 4.00"

NOTES:
 1: DO NOT SCALE FROM DRAWING.
 2: ONE PIECE REQUIRED PER F61000121 & -123: CNQST 586 LH & LH/LH, ASSY.

This drawing is the property of Bluffton Agri/Industrial Corp. and must be returned immediately upon request. No part of this drawing may be reproduced, stored in a retrieval system or transmitted in any form or by any means, without the prior written consent of Bluffton Agri/Industrial Corp.

CAD NO MANUAL CHANGES		 <p>A DIVISION OF BLUFFTON AGRI CORP. SINCE 1869 BLUFFTON, INDIANA, U.S.A.</p>		
TOLERANCES (EXCEPT AS NOTED)				
DECIMAL: .XXX ± .005 .XX ± .030	FINISH: NONE	DRAWING TITLE: ECC ASSY, 2.18" 4 BRNG AC RH		
FRACTIONAL: ± 1/32	DATE: 5/6/00	SIZE: B	DRAWING NO.: F61000064	SHEET: 1 of 1
ANGULAR: ± 1/2°				

—	F000034	5/6/00	RELEASE XXXXXX	DJXX
SYM:ECN/NPR NO:	DATE:	DESCRIPTION OF CHANGE	DRICK	