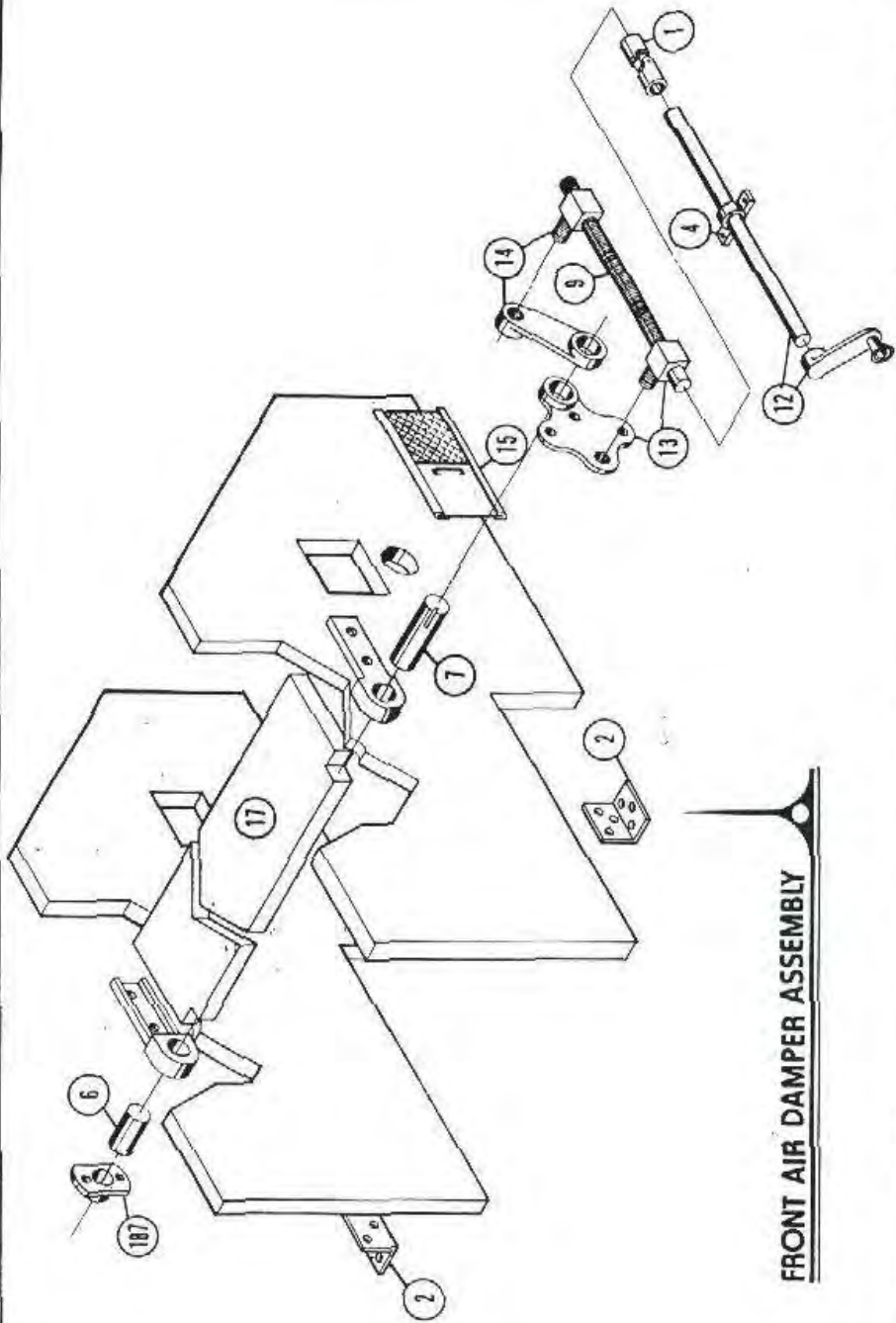


BLUE PRINT SUPPLY & SERVICE CO., INC.



**FRONT AIR DAMPER ASSEMBLY**

SYM		REVISION	DATE	ON	DATE	SCALE	DATE
<b>front air damper assembly</b>							
DRAWN BY							
FERRELL - ROSS							
SAGINAW, MICH.							
DWG. NO.							
MACH. NO.							

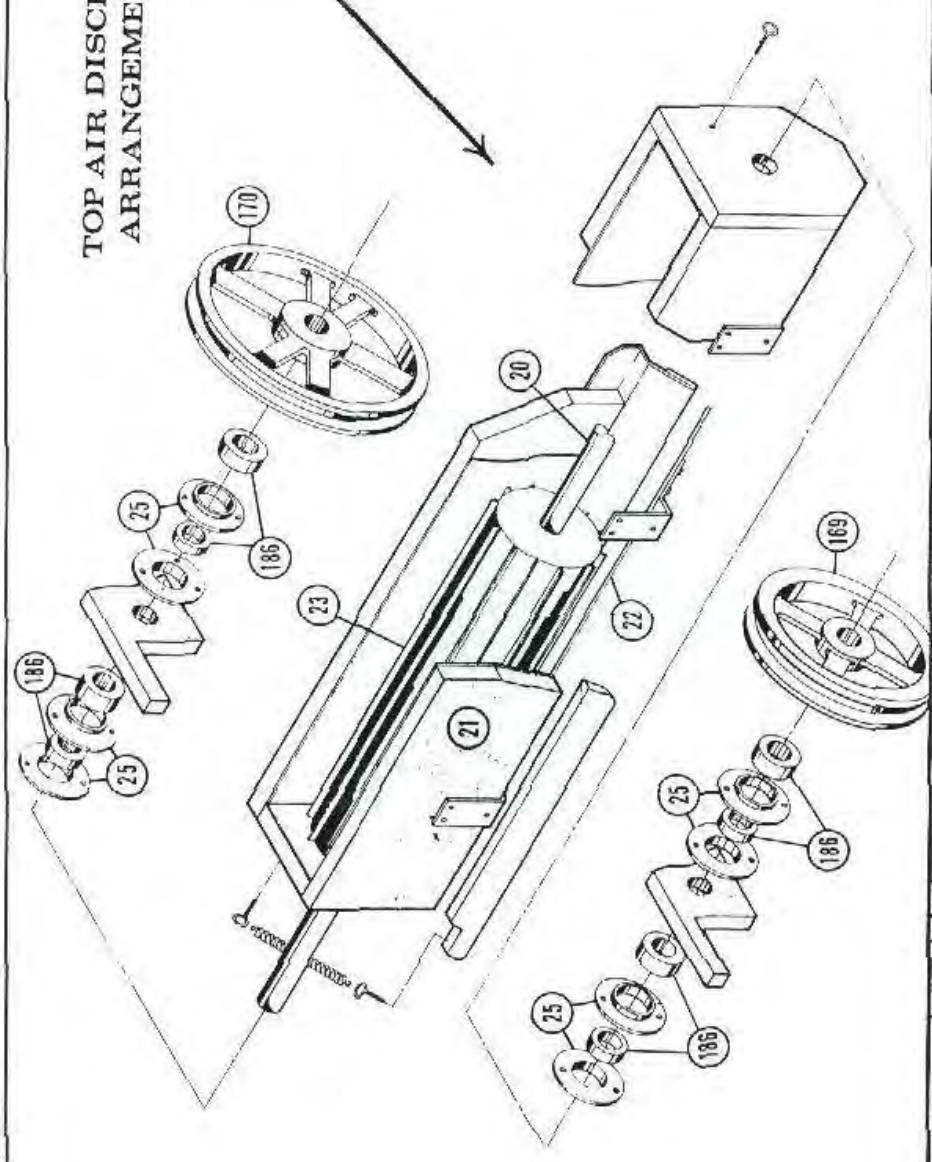






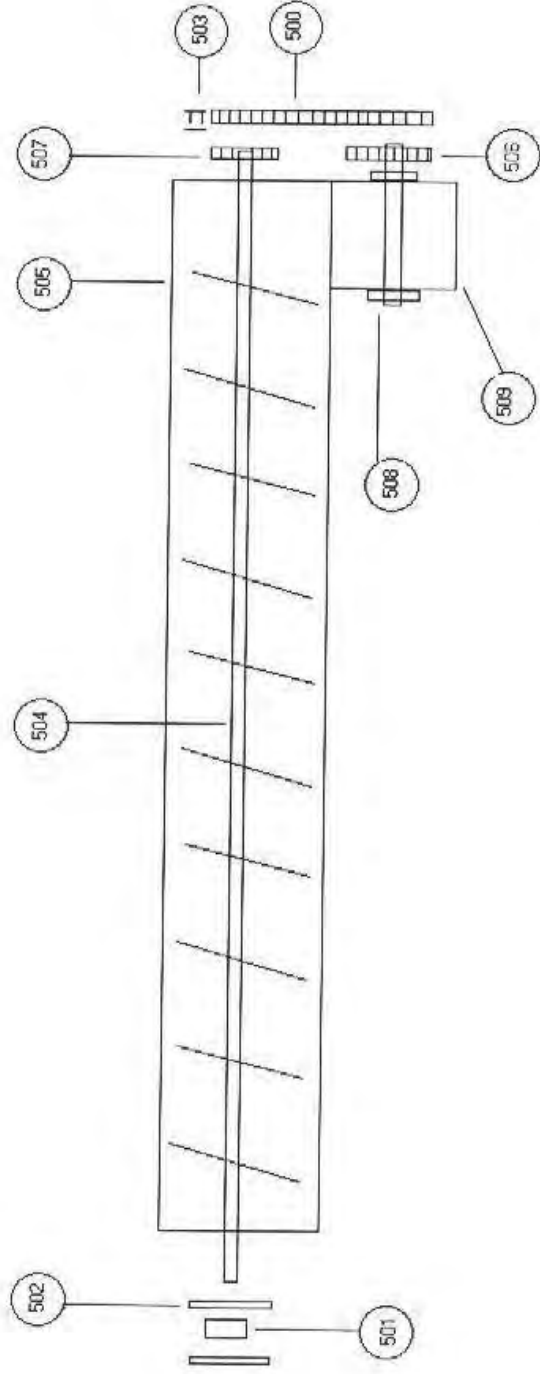
MULTI PRINT SUPPLY CO. 2500 E. 17TH ST. DENVER, CO. 80202

# TOP AIR DISCHARGE ARRANGEMENT



SYN.	REV.	DATE	BY	DATE	SCALE	DRAWN BY	J. B.	DATE	2-10-47	DWG. NO.		MACH. NO.	
						- top air discharge arrangement							
						FERRELL - ROSS							
						SAGINAW, MICH.							

# Top Air Discharge Auger Assembly





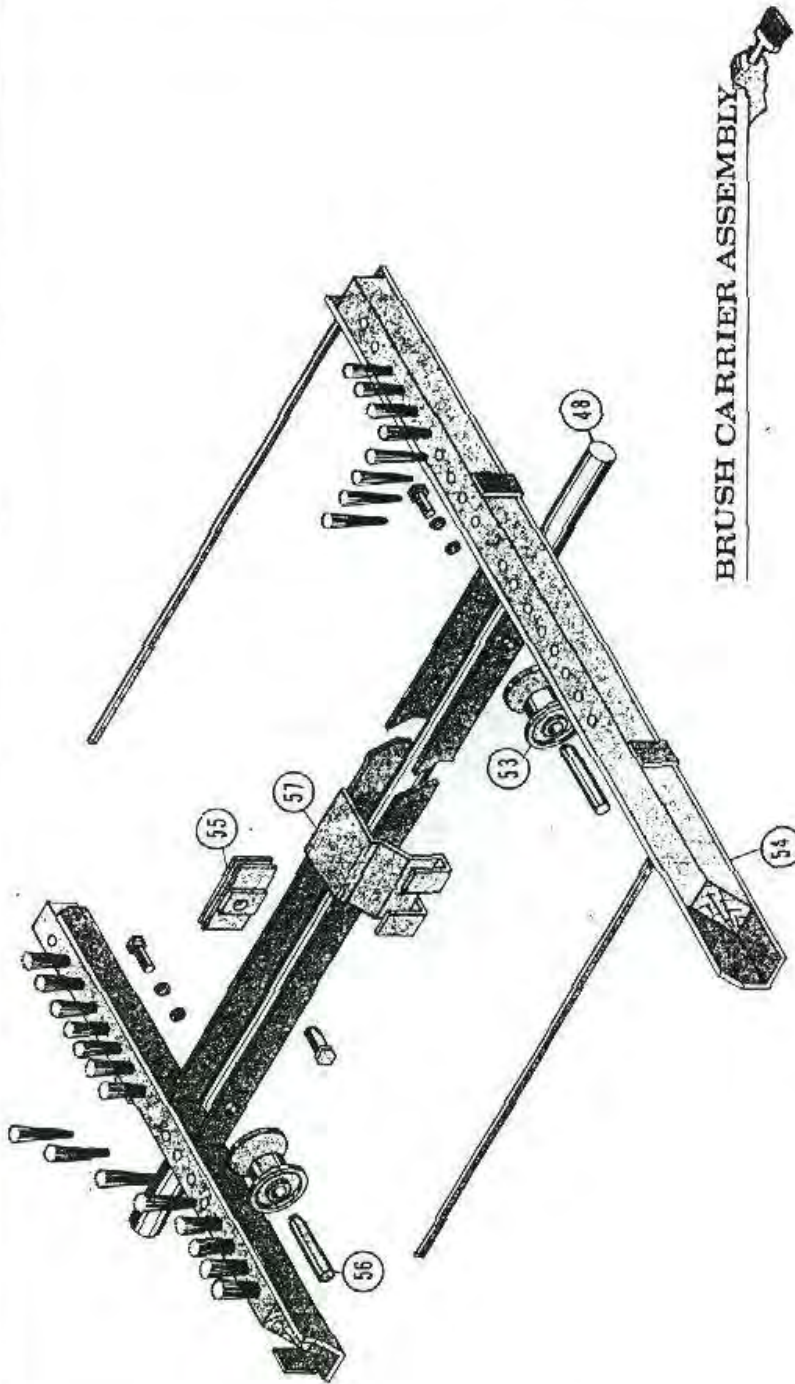








W. H. RAY COMPANY, SAGINAW, MICH.

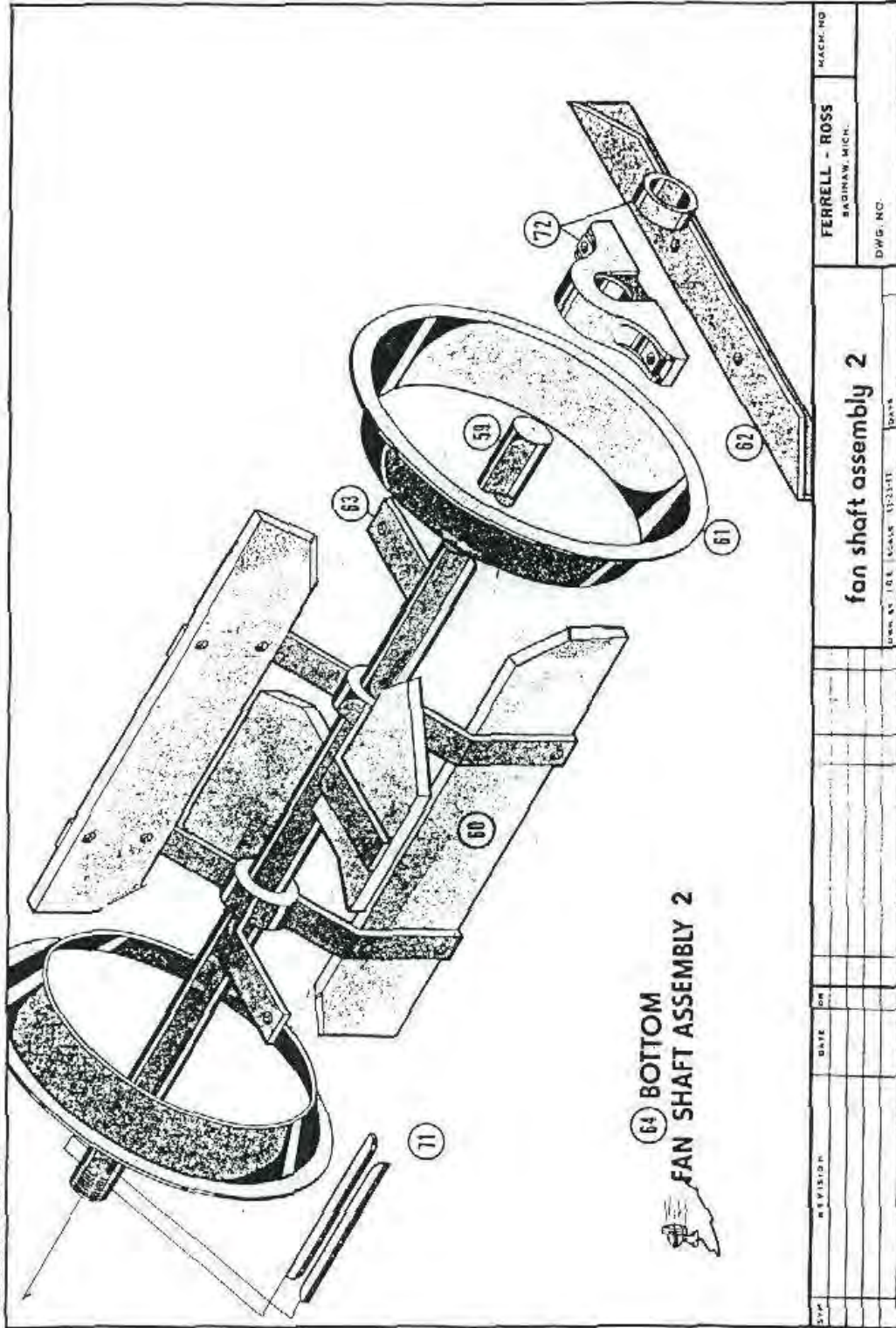


### BRUSH CARRIER ASSEMBLY



REV.	DESCRIPTION	DATE	BY	DWG. NO.	SCALE	DATE	12-18-27
				brush carrier assembly			
				FERRELL - ROSS			
				SAGINAW, MICH.			
				MACH. NO.			

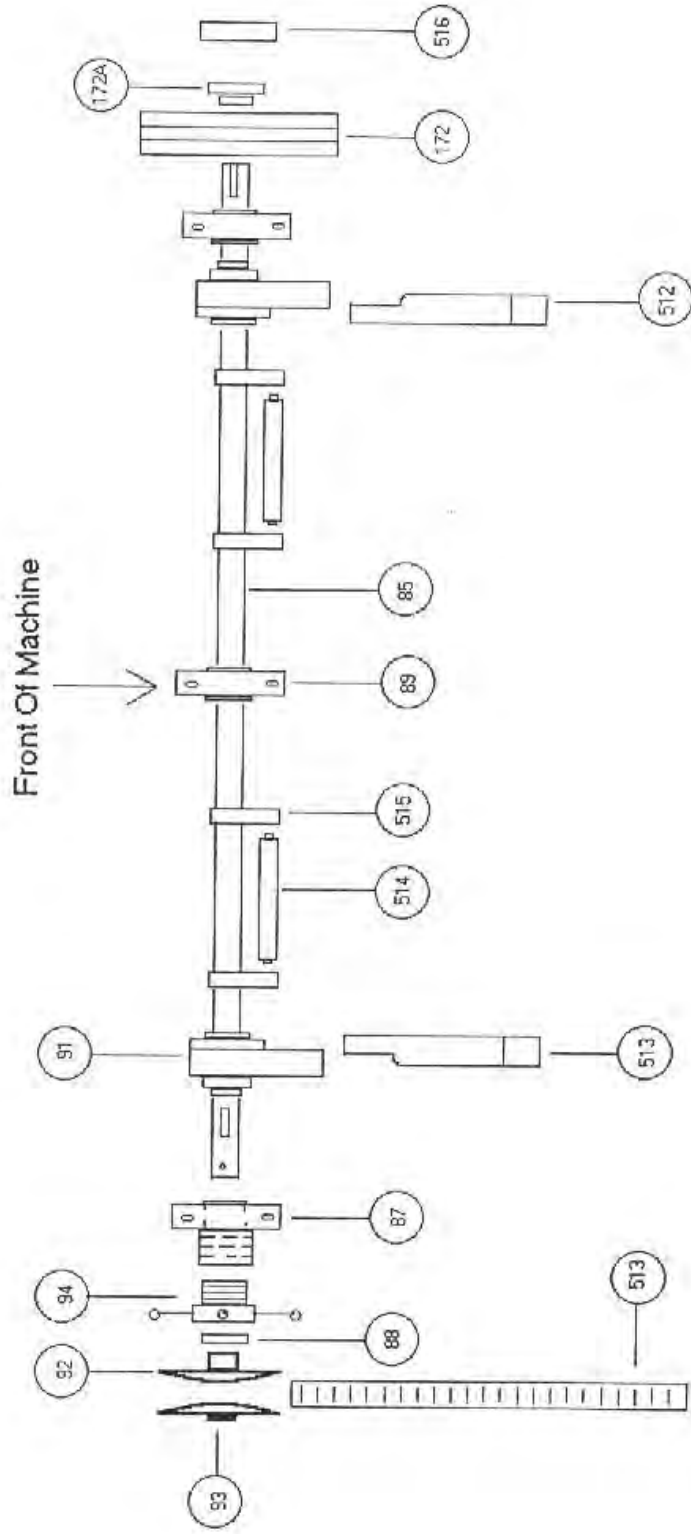




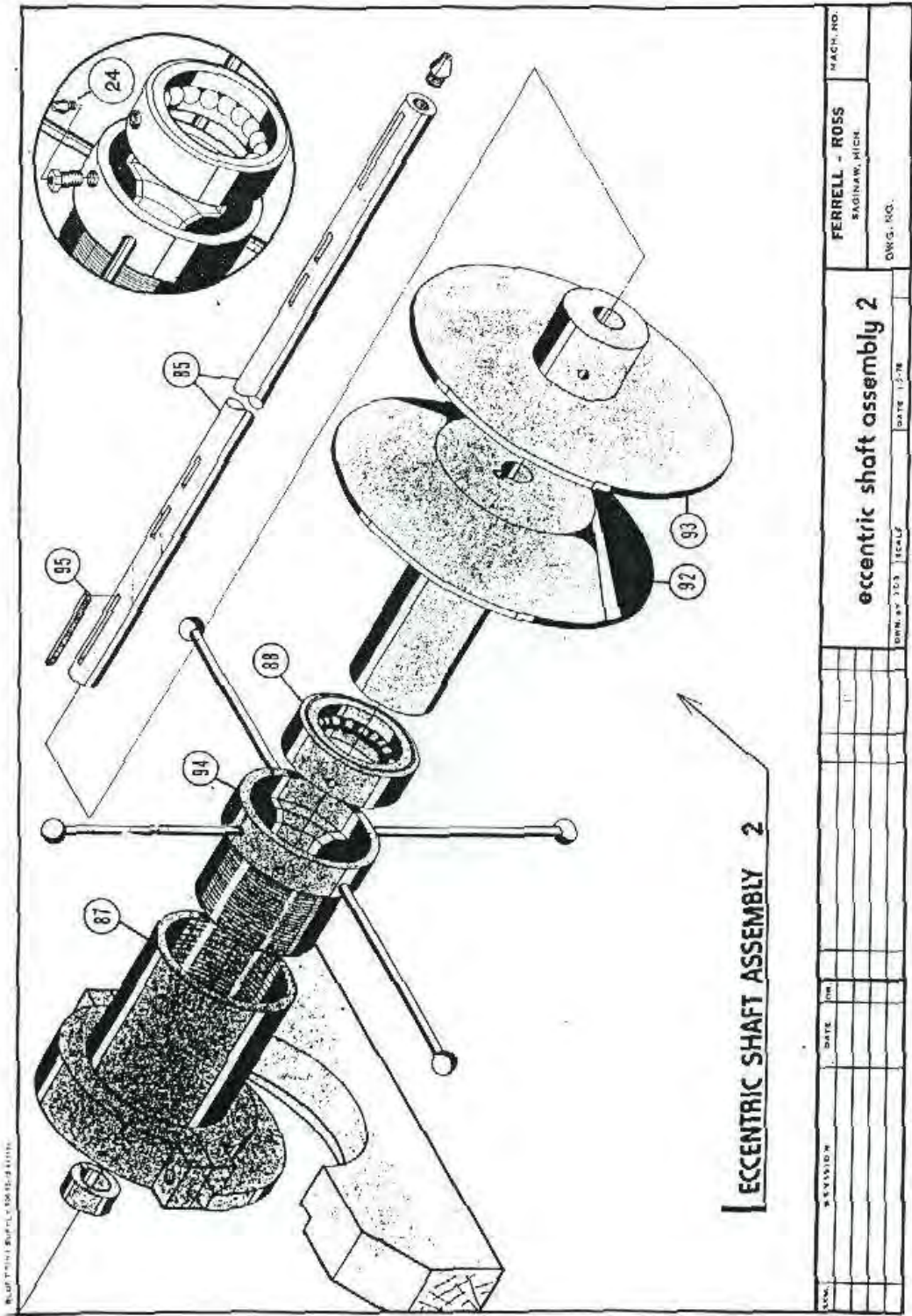
64 BOTTOM  
FAN SHAFT ASSEMBLY 2

SYN		REVISION	DATE	BY	DWG. NO. 100-16000-132311	DATE	DWG. NO.	MACH. NO.
					FERRELL - ROSS		MICH.	
					BAGINAW, MICH.		DWB, INC.	
					fan shaft assembly 2			

# Eccentric Shaft For 60 Series







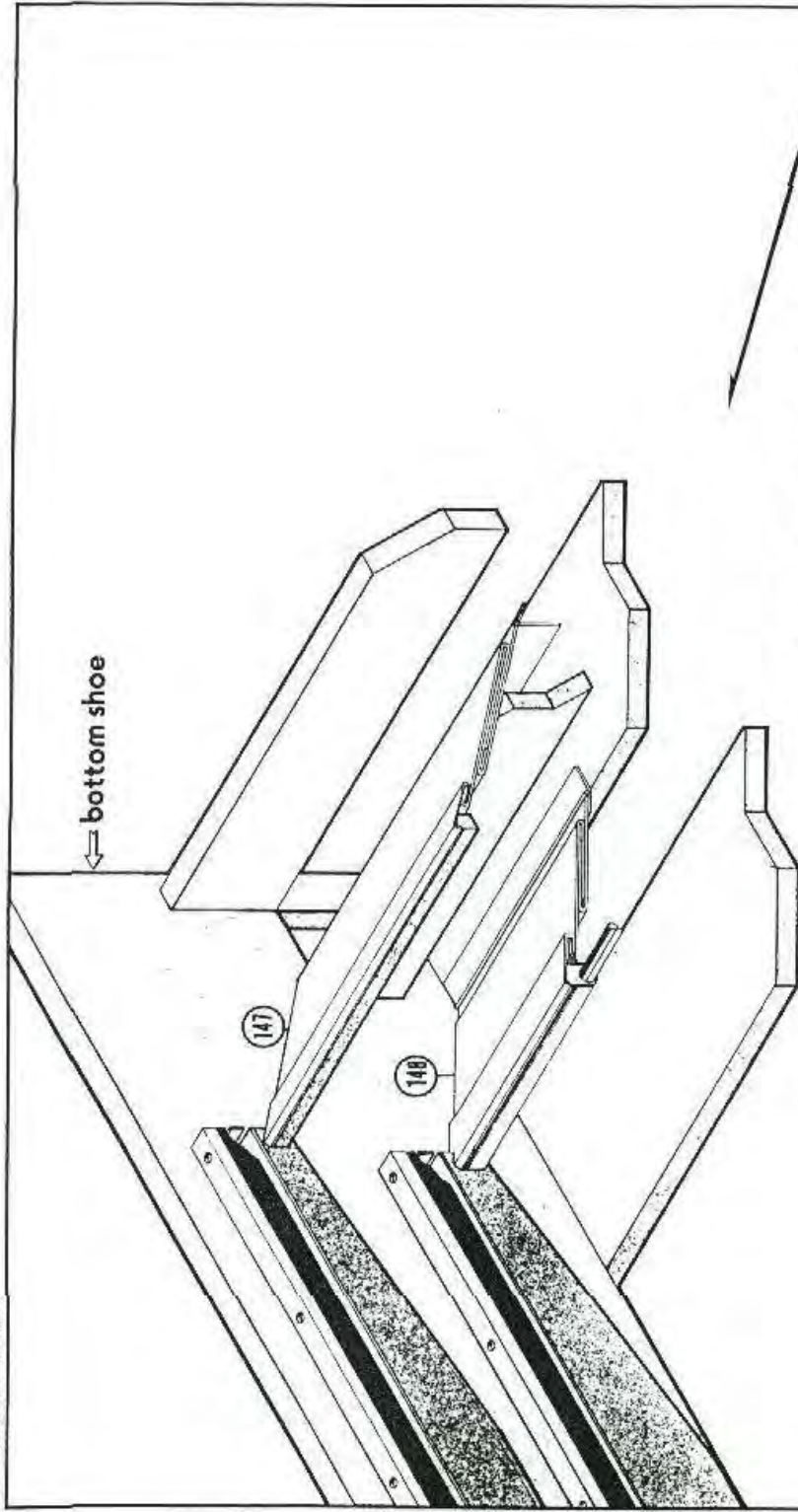
REV.		REVISION		DATE	BY	CHKD.	DATE	BY	CHKD.	DATE	BY	CHKD.
eccentric shaft assembly 2										DATE	1/2/78	
FERRELL - ROSS										DATE	1/2/78	
BAGINAW, MICH										DATE	1/2/78	
DWG. NO.										DATE	1/2/78	
MACH. NO.										DATE	1/2/78	







BLUE PRINT SUPPLY COMPANY, INC.



← bottom shoe

ARRANGEMENT FOR TELESCOPIC APRONS

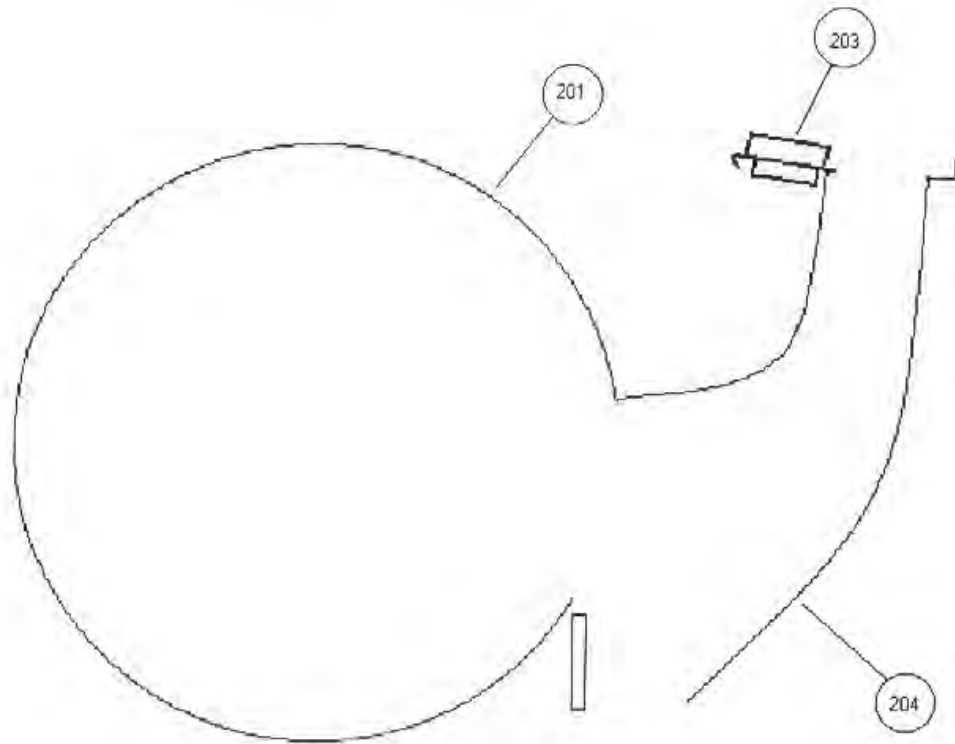
SYM	REVISION	DATE	BY	SCALE	DATE	FERRELL - ROSS		MECH. NO
						SAGINAW, MICH		
DRAWN BY						DWG. NO		
TITLE						arrangement for telescopic aprons,		

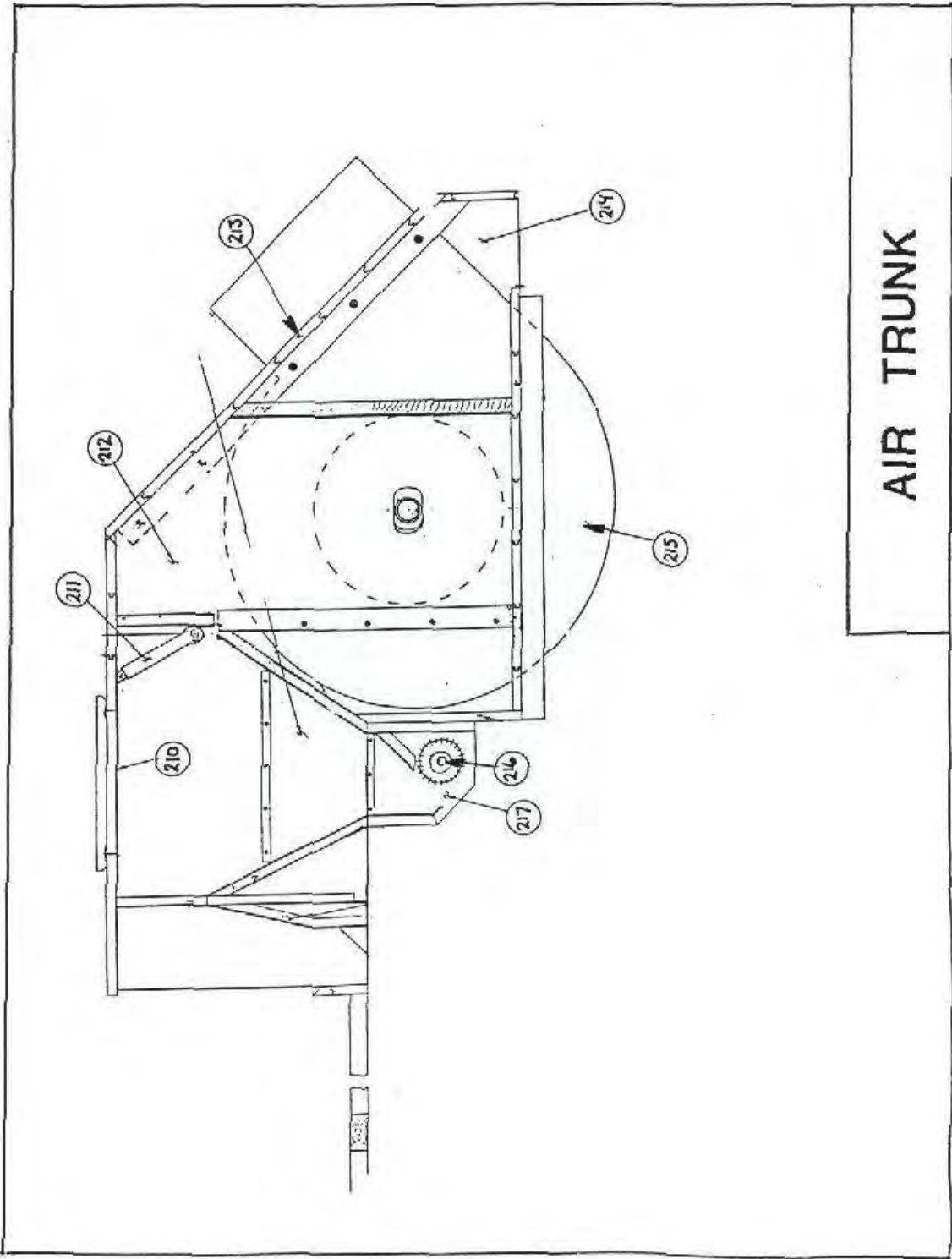






# Bottom Fan Metal



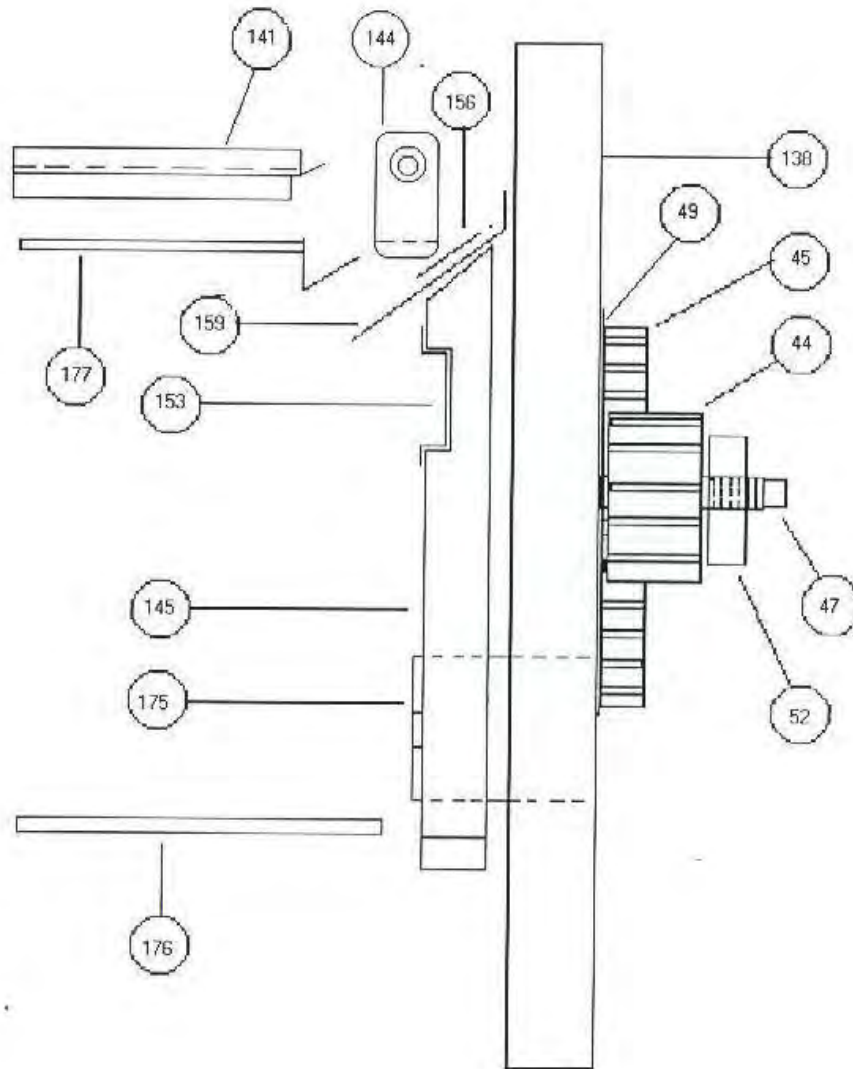


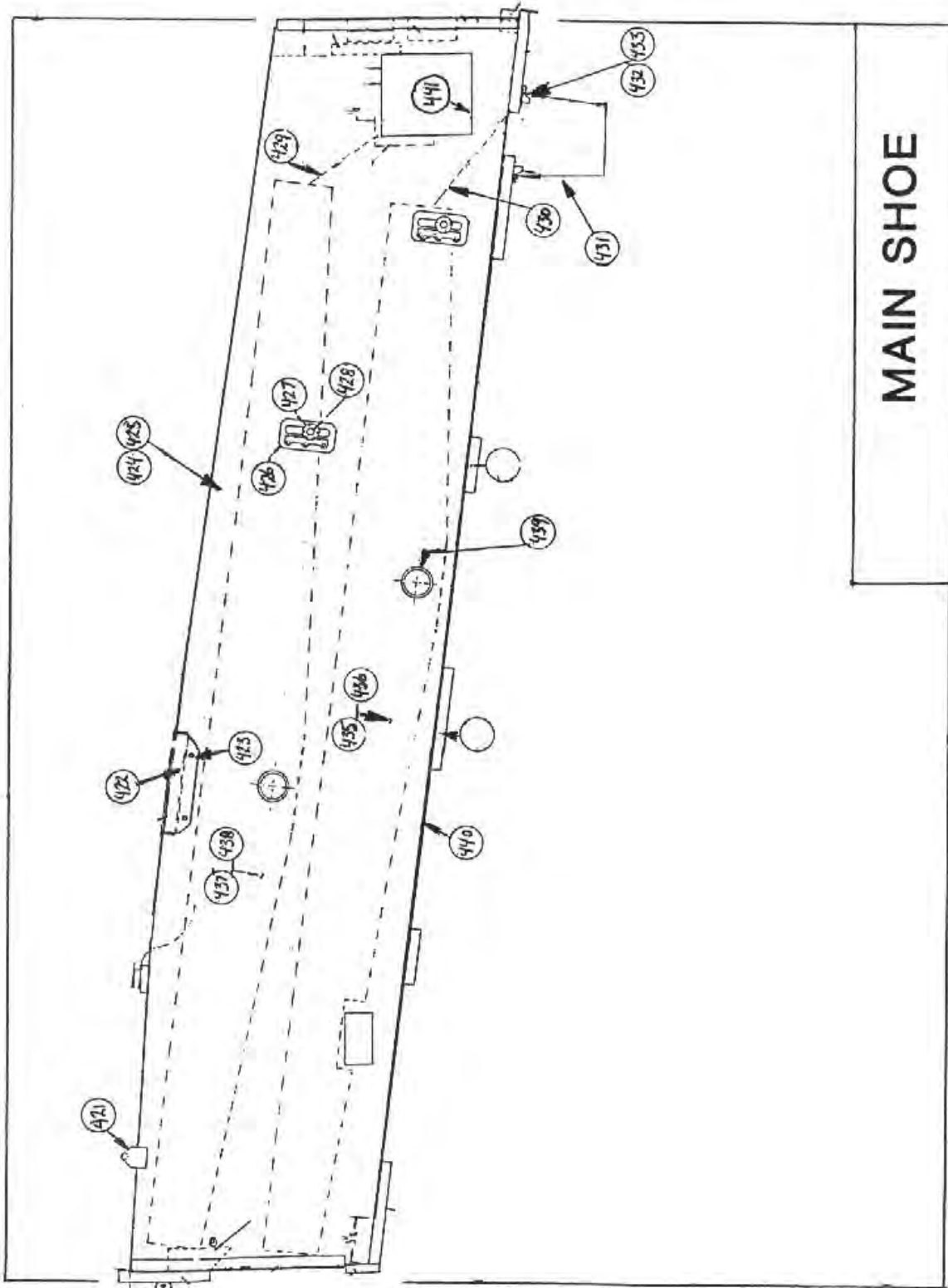
AIR TRUNK



# Rocker Assembly View

## Brush Style





**MAIN SHOE**

# Scalper Shoe Assembly View

## Brush Style

